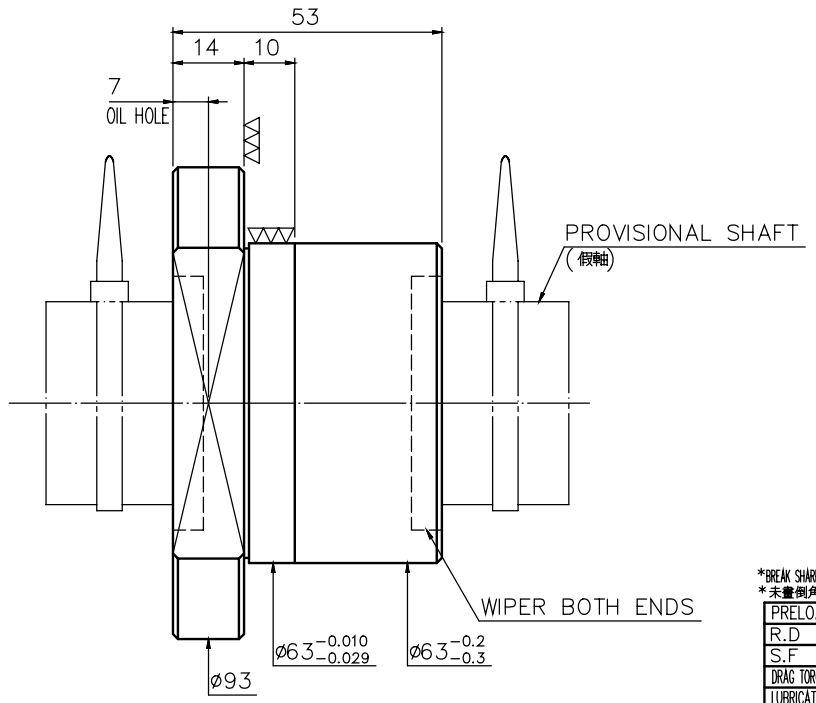
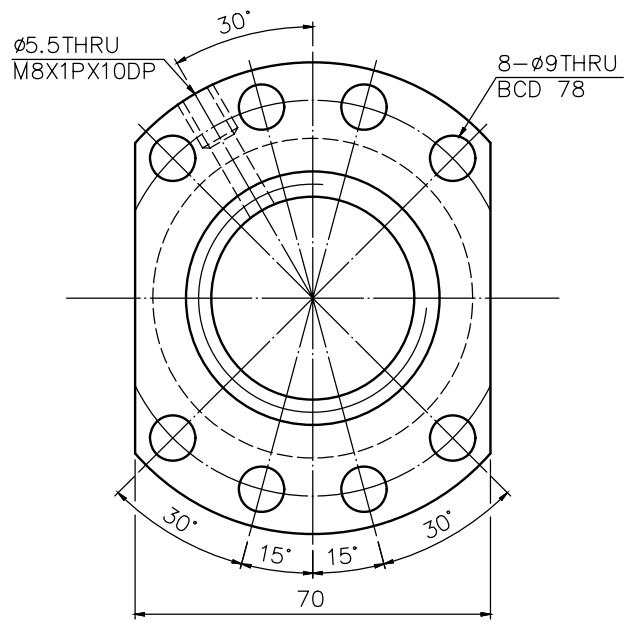


1 2 3 4 5 6 7 8 9

A  
B  
C  
D  
E  
F  
G



\*BREAK SHARP EDGE UNLESS OTHER SPECIFIED  
\*未畫倒角者去毛邊

PRELOAD (kgf)	
R.D	
S.F (kgf)	
DRAG TORQUE (kgf-cm)	
LUBRICATION	OIL
DIRECTION OF TURN	R.H
PC DIA.	40.03
BALL DIA.	3.175
BALL TRACK FORM	GOTHIC
BACKLASH	0.05MAX
CIRCUIT	4
LEAD ANGLE	2.28°
DYNAMIC (kgf)	
STATIC (kgf)	
LEAD	5.

SPEC: R40-5T4-F5I

UNCHAMFERED USE <input type="checkbox"/>	C0.5 <input type="checkbox"/>	C1 <input type="checkbox"/>	QC <input type="checkbox"/>
SCALE	1: X		
CUSTOMER DRAWING NO.			
MC TYPE			
AXIAL TYPE			

UNTOL DIMN mm	UP	6	30	120	300	600	1200	2400	OVER
±0.1	±0.2	±0.3	±0.4	±0.5	±0.8	±1.0	±1.5		
THREAD BALL TRACK	HRC 58 ~ 62								
THREAD END	ALLOWS ABOVE LENGTH OUT OF HARDNESS TOLERANCE								

CUSTR	HIWIN STD	DATE	07.08.'98
TITLE	BALL SCREW	DWG	林聖銘
MATL	SNCM220	CHK	
INT:	SNCM220	APPD	
DWG.NO.	A109NTA1	PROCESS NO.	G
HIWIN® BALLSCREWS			

DATE	MODIFICATION	APPROVED

\* PLEASE IGNORE CHINESE CHARACTERS WHICH ARE FOR OUR REFERENCE ONLY.